

- For indoor and outdoor installation
- Made in aluminium, painted with epoxy powder
- WBOVA2 Patented

WBJA • Wall bracket with sturdy joint. It is suitable for medium and large extruded aluminium housings.

WBMA • Medium-duty die-cast aluminium wall bracket with integrated joint. It is particularly suitable for medium-small size housings.

WBOVA2 • Bracket with joint. It offers vandal proof protection, due to an internal cable channel. For IP55 protection, make a hole in the supplied sheath of 2mm less of the cable diameter and combine with the existing hole of the bracket. Optional sealing rings, OWBIP1 or OWBIP2, ensure IP66 protection for the bracket instead.

WBOV3A2 • Die-cast aluminium reinforcing support plate in weather-proof box, supplied with WBOVA2 bracket. When combined with a cable managed bracket, it allows wiring internally throughout the unit. The optional sealing rings OWBIP1 or OWBIP2 ensure a housing of IP66 protection.

WCM3A • Ceiling mount. It allows for an easy position adjustment of the housing.

WCM4A2 • Ceiling mount with an internal cable channel. It combines an easy position adjustment with vandal proof protection. It is suitable for housings with cable management. The sealing rings OWBIP1 or OWBIP2 ensure a housing of IP66 protection.

WCM5A • Same features as WCM4A2 mount, but with exposed cable. Suitable for housings equipped with cable glands.

WCMPA • Linear extension for WCM4A2 and WCM5A mounts.

WFWCA • Column bracket with joint, suitable for all the housings equipped with cable glands.

OBJA • Ball joint of WBJA, WCM5A and WCM3A.



TECHNICAL DATA

HOUSING BRACKETS

| Models | |
|----------------|--|
| WBJA | Wall bracket with balljoint |
| OBJA | Only balljoint |
| WBMA | Wall bracket with balljoint |
| WBOVA2 | Wall bracket with internal cable channel |
| WBOV3A2 | WBOVA2 wall bracket, support plate and integrated junction box with internal cable channel |
| WCM3A | Ceiling bracket with balljoint |
| WCM4A2 | Ceiling bracket with internal cable channel |
| WCM5A | Ceiling mount with balljoint |
| WCMPA | Extension for WCM4A2-WCM5A brackets |
| WFWCA | Parapet mount with balljoint |

GENERAL

Made of die-cast aluminium
 Painted with epoxy polyester powder RAL9002
 Supplied with housing screws
 Housing position adjustment is made with only one bolt

MECHANICAL

WBJA

Wall mounting or on modular adaptors
 Load rating: 25kg (55lb)
 Length: 285mm (11.2in)

WBMA

Wall mounting or on modular adaptors
 Load rating: 25kg (55lb)
 Length: 227mm (8.9in)

WBOVA2

Vandal proof protection, due to internal cable management
 Wall mounting or on modular adaptors
 Load rating: 25kg (55lb)
 Length: 204mm (8in)

WCM3A

Ceiling mounting
 Load rating: 15kg (33lb)
 Length: 300mm (11.8in)

WCM4A2

Internal cable management
 Ceiling mounting
 Load rating: 15kg (33lb)
 Length: 412mm (16.2in)

WCM5A

Ceiling mounting
 Load rating: 15kg (33lb)
 Length: 412mm (16.2in)

WCMPA

Extension 500mm (19.7in) for WCM4A2 and WCM5A

WFWCA

Column and parapet mounting
 Load rating: 15kg (33lb)
 Length: 185mm (7.3in)

OBJA

Ball joint of WBJA, WCM5A and WCM3A


ACCESSORIES

OWBIP1 Sealing rings kit (1xPG11 and 2xPG9) for WBOVA2, WCM4A2 bracket for HOV32, VERSO and HEB housings

OWBIP2 Sealing rings kit (3xM16) for WBOVA2, WCM4A2 bracket for HEK housing

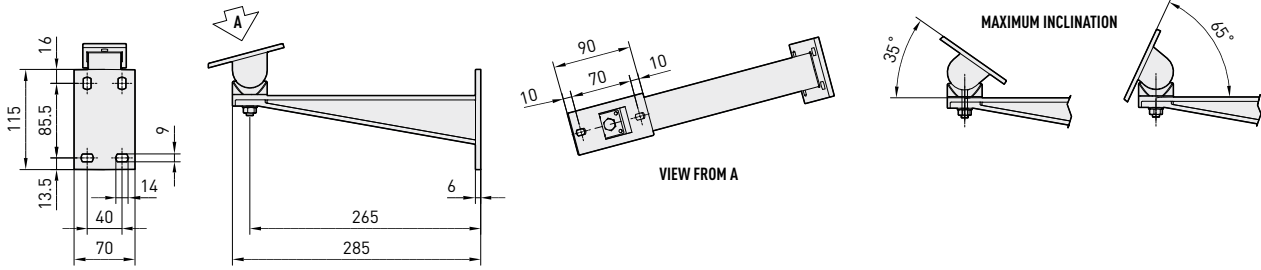
ENVIRONMENT

Indoor / Outdoor

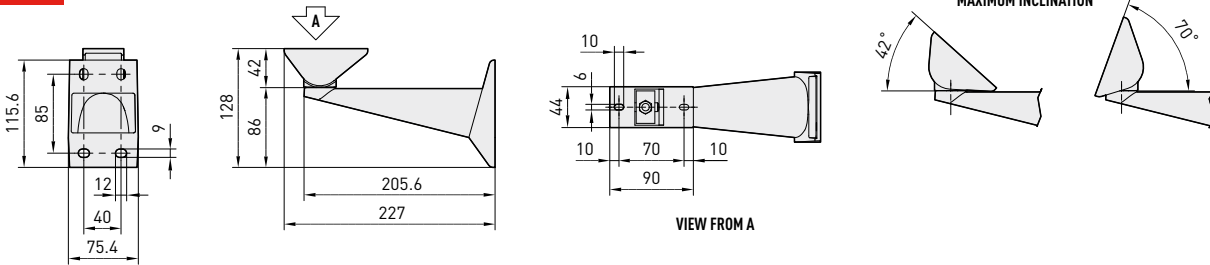
| | | | | |
|---|-----------------------------|--|--|------------------------|
|  | Unit Weight: | Package Weight: | Package Dimensions (BxHxL): | Master Carton: |
| | WBJA 0.6kg / 1.3lb | WBJA 0.7kg / 1.5lb | WBJA 7.5x12x31cm / 2.9x4.7x12.2in | WBJA 20 units |
| | WBMA 0.5kg / 1.1lb | WBMA 0.6kg / 1.3lb | WBMA 7.5x12x23cm / 2.9x4.7x9.04in | WBMA 25 units |
| | WBOVA2 0.6kg / 1.3lb | WBOVA2 0.7kg / 1.5lb | WBOVA2 8.5x13x22cm / 3.3x5.1x8.6in | WBOVA2 25 units |
| | WBOV3A 2.4kg / 5.3lb | WBOV3A 2.5kg / 5.5lb | WBOV3A2 11x19x53cm / 4.3x7.5x20.8in | WBOV3A - |
| | WCM3A 1.8kg / 3.96lb | WCM3A 2.1kg / 4.6lb | WCM3A 13x32.5x27cm / 5.1x12.8x10.6in | WCM3A 12 units |
| | WCM4A2 1.3kg / 2.8lb | WCM4A2 1.7kg / 3.7lb | WCM4A2 10.5x36.5x36.5cm / 4.1x14.3x14.3in | WCM4A2 12 units |
| | WCM5A 1.4kg / 3.1lb | WCM5A 1.7kg / 3.7lb | WCM5A 10.5x36.5x36.5cm / 4.1x14.3x14.3in | WCM5A 12 units |
| | WCMPA 0.5kg / 1.1lb | WCMPA 0.6kg / 1.3lb | WCMPA 6x6x58.5cm / 2.3x2.3x23in | WCMPA - |
| | WFWCA 0.5kg / 1.1lb | WFWCA 1.0kg / 2.2lb | WFWCA 14.5x15x26.5cm / 5.7x5.9x14.4in | WFWCA 15 units |
| OBJA 0.2kg / 0.44lb | OBJA 0.2kg / 0.4lb | OBJA 8.5x5.5x11.5cm / 3.3x2.2x4.5in | OBJA - | |

HOUSING BRACKETS

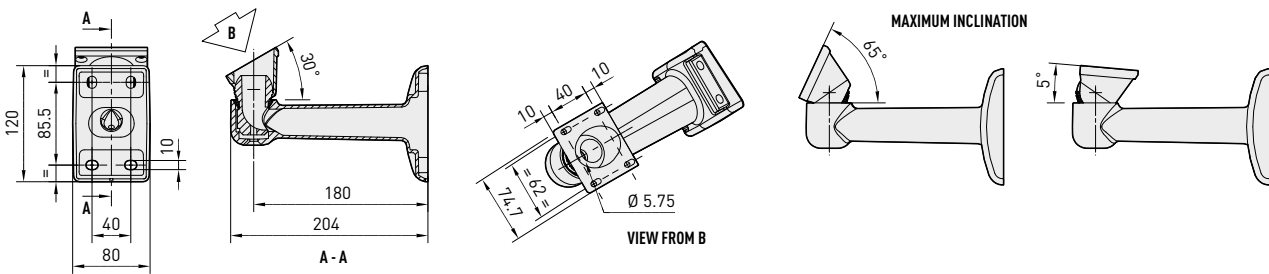
WBJA



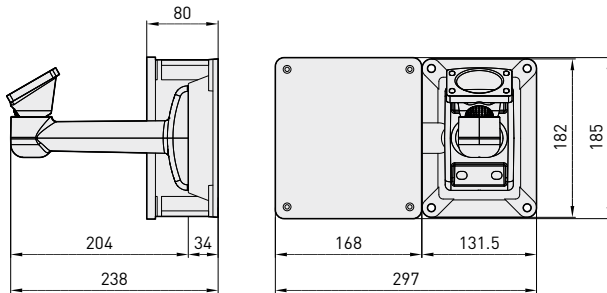
WBMA



WBOVA2



WBOV3A2



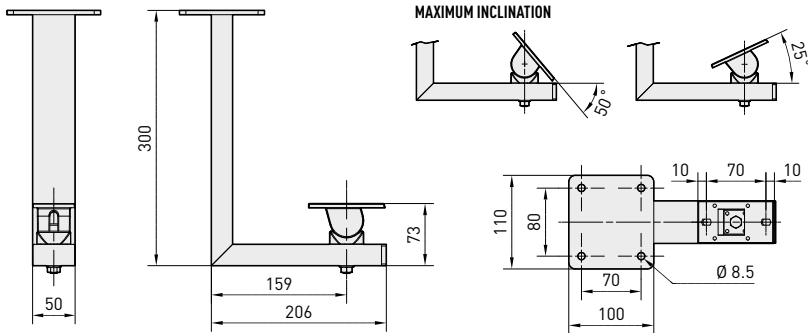
The values are in millimeters.

HOUSING BRACKETS

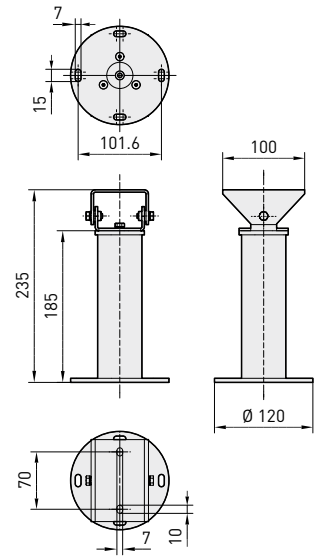


HOUSINGS AND P&T MOTORS BRACKETS 2

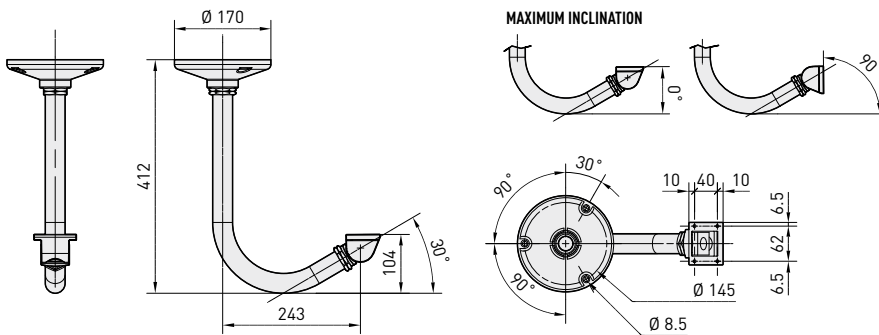
WCM3A



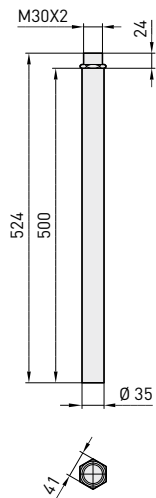
WFWCA



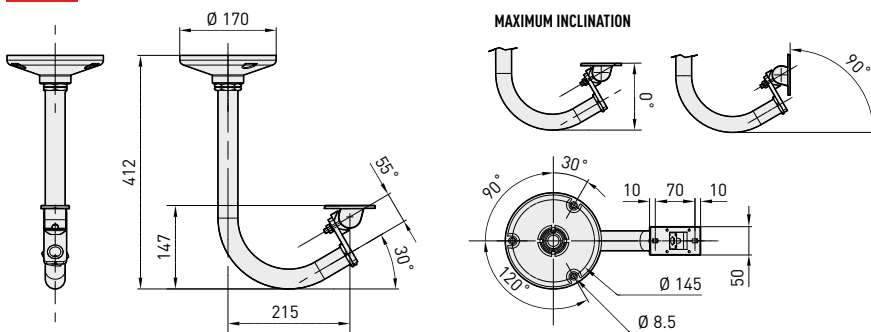
WCM4A2



WCMPA



WCM5A



The values are in millimeters.