

HOV HI-POE IPM

ALUMINIUM HOUSING WITH IPM TECHNOLOGY FOR IP CAMERAS

MAIN FEATURES

- IPM technology (Intelligent Power Management)
- PoE / Hi-PoE power supply for heating, demisting, illuminator, fan and PoE network camera
- Category 5e shielded power cable
- Compatible with IEEE 802.3at/PoE Plus
- Indoor / Outdoor
- IP66/IP67 (with cable glands or optional sealing rings)
- Side opening, easy camera servicing
- Version with fan with double air filter
- Version with de-icing heated glass
- Pre-arranged to supply a GEKO IRH illuminator
- Pre-arranged for internal cable management
- Special cable gland for a fast Ethernet connection/disconnection without cutting the RJ45 connector

DESCRIPTION

The HOV Hi-PoE IPM housing exploits in an optimal way the POE and Hi-POE technology, using the power supplied by the Ethernet cable as the sole source of power for all the devices connected, thus ensuring the maximum efficiency and flexibility of the network system as well as user-friendly installation and low costs. The innovative IPM (Intelligent Power Management) system enables extremely quick and easy installation with the use of a single Ethernet connecting cable. The Hi-POE IPM system automatically detects all the options, like heating, fan and illuminator and then autonomously balances the power to ensure suitable distribution of the same to the connected devices. This guarantees the optimal operation of the IP camera between -30°C (-22°F) and +60°C (140°F), with heat regulation and cold start (activation at low temperature). The analog system, with previously installed camera housings, can be retrofitted on IPM system simply by changing the slide and the internal electronics. This enables the digital conversion, speeding up the installation and thereby minimizing costs and environmental impact. Very easy to install thanks to the side opening system that allows the full access to the camera, lenses and all internal connections.



HOV HI-POE IPM



HOV HI-POE IPM + GEKO IRH + CAMERA



IPM (INTELLIGENT POWER MANAGEMENT) MODULE



DE-ICING HEATED GLASS

- INTEGRATED POSITIONING UNITS
- EXPLOSION-PROOF SYSTEMS
- STAINLESS STEEL SYSTEMS
- THERMAL CAMERAS
- CAMERA HOUSINGS
- DOME ENCLOSURES
- VANDAL RESISTANT HOUSINGS
- ILLUMINATORS FOR SURVEILLANCE
- P&T MOTORS AND TELEMETRY
- CAMERA BRACKETS
- DIGITAL VIDEO SYSTEMS
- CONTROL KEYBOARDS
- VIDEO SWITCHING AND DISTRIBUTION
- VIDEO AND DATA TRANSMISSION

TECHNICAL DATA

GENERAL

Constructed from aluminium
Sunshield in ABS

Epoxy polyester powder painting, RAL9002 colour
Stainless steel external screws

MECHANICAL

Cable glands: 1xM12, 1xM16, 1xM20
Glass window (WxH): 118x75mm (4.6x2.7in)
Internal useful dimensions (WxHxL): 100x70x250mm (3.9x2.7x9.8in)
Unit weight: 3.1kg (6.6lb)

ELECTRICAL

Input power consumption: PoE class 3 (13W) or Hi-PoE class 4 (25W) selectable with dip switch
Available power for camera (PoE IN class 3): PoE classe 2 (7W)
Available power for camera (Hi-PoE IN class 4): PoE class 3 (13W) with Ton -10°C ±2°C "cold start" function
Data line: 10/100Base-T
Illuminator GEKO IRH, low power, 6W
Heating: 8W, electronically controlled, Ton 20°C±2°C Toff 23°C±2°C
Fan with thermostat for camera cooling for versions with double air filter Ton 35°C±2°C Toff 32°C±2°C
Defrosting with forced hot air, 5W
De-icing with heated glass, 5W Ton 30°C±2°C Toff 33°C±2°C
Compatible with IEEE 802.3at/PoE Plus
Compatible with Power Injector (optional Videotec accessory, ref. OHEPOWINJ)

ENVIRONMENT

Indoor/Outdoor
Maximum temperature range : -30°C / +60°C (-22°F / +140°F)
(refer to the table: HOV Hi-PoE IPM Available models and features)
Resistant to salty fog until 1000 hours (according to ISO9227)
The correct functioning of the device, within the recommended temperature range, is ensured using camera and lens with a temperature range from -10°C (14°F) to +60°C (140°F)

CERTIFICATIONS

CE EN61000-6-4, EN60950-1, EN50130-4
IP66/IP67 EN60529 with cable glands
IP66/IP67 EN60529 with special gaskets and bracket with internal cable channel
IP55 EN60529 with bracket with internal cable channel
IP44 EN60529 with cooling blower and double filter

ACCESSORIES

OHEPOWINJ Hi-PoE Power Injector, 1 channel
OWBIP3 Sealing rings kit (1xM12 - 1xM16 - 1xM20) IP66/IP67 for WBOVA2 and WCM4A2 brackets for VERSO HI-POE and HOV HI-POE housings
OHEGBB Weatherproof junction box
OSUPPIR Bracket for mounting 1 GEKO IRH illuminator under the housing

RELATED PRODUCTS

PTH300 Horizontal/vertical Pan & Tilt
PTH900 Horizontal/vertical Pan & Tilt
IRH10L8A LED Illuminator, 10°, 850nm, 24Vac - 12/24Vdc
IRH30L8A LED Illuminator, 30°, 850nm, 24Vac - 12/24Vdc
IRH60L8A LED Illuminator, 60°, 850nm, 24Vac - 12/24Vdc

BRACKETS AND ADAPTORS

WBJA Wall bracket with ball joint
WBOVA2 Wall bracket with internal cable channel, not compatible with OHEKVF1EB and OHEKVF2EB
WBOV3A2 Wall bracket with internal cable channel, counterplate and support box, not compatible with OHEKVF1EB and OHEKVF2EB
WCM3A Ceiling bracket with ball joint
WCM5A Ceiling bracket with ball joint
WCM4A2 Ceiling bracket with internal cable channel
WFWCA Column bracket with joint

SPARE PARTS

OHOVPOEIPM Maintenance/retrofit kit for HOV32 HI-POE IPM
OHOV32SUP Complete upper body
OBKFIL Filter replacement kit for double filter versions

PACKAGE

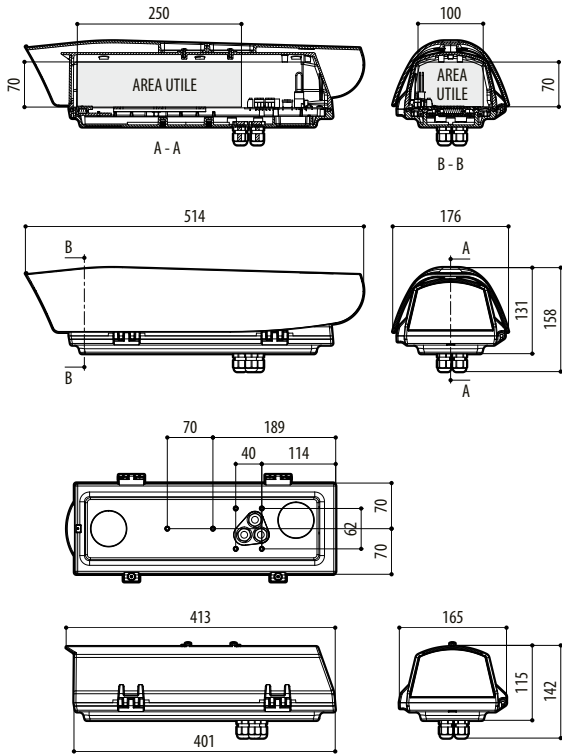
Model Number	Weight	Dimensions (WxHxL)	Master carton
HPV42K2A700	1.9Kg (42lb)	16.5X15.5X49cm (6.5x6.1x19.3in)	10

HOV HI-POE IPM AVAILABLE MODELS AND FEATURES

Operating temperature	Injector	Camera	Demisting system	Illuminator	Heating	De-icing heated glass	Fan with double air filter	Model Number
-10°C / +60°C (14°F / 140°F)	PoE classe 3 (13W)	PoE max. class 2 (7W)	•				•	HOV32K2A716
	Hi-PoE class 4 (25W)	PoE max. class 3 (13W)	•	•			•	HOV32K2A716
-10°C / +50°C (14°F / 122°F)	PoE classe 3 (13W)	PoE max. class 2 (7W)	•					HOV32K2A700
	Hi-PoE class 4 (25W)	PoE max. class 3 (13W)	•	•				HOV32K2A700
-30°C / +50°C (-22°F / +122°F)	Hi-PoE class 4 (25W)	PoE max. class 3 (13W)	•		•			HOV32K2A700
	Hi-PoE class 4 (25W)	PoE max. class 3 (13W)	•		•	•		HOV32K2A720

TECHNICAL DRAWINGS

Sizes in millimeters.



HOV HIPOE IPM

INTEGRATED POSITIONING UNITS
EXPLOSION-PROOF SYSTEMS
STAINLESS STEEL SYSTEMS
THERMAL CAMERAS
CAMERA HOUSINGS
DOME ENCLOSURES
VANDAL RESISTANT HOUSINGS
LUMINATORS FOR SURVEILLANCE
P&T MOTORS AND TELEMETRY
CAMERA BRACKETS
DIGITAL VIDEO SYSTEMS
CONTROL KEYBOARDS
VIDEO SWITCHING AND DISTRIBUTION
VIDEO AND DATA TRANSMISSION

VIDEO AND DATA TRANSMISSION	VIDEO SWITCHING AND DISTRIBUTION	CONTROL KEYBOARDS	DIGITAL VIDEO SYSTEMS	CAMERA BRACKETS	P&T MOTORS AND TELEMETRY	ILLUMINATORS FOR SURVEILLANCE	VANDAL RESISTANT HOUSINGS	DOME ENCLOSURES	CAMERA HOUSINGS	THERMAL CAMERAS	STAINLESS STEEL SYSTEMS	EXPLOSION-PROOF SYSTEMS	INTEGRATED POSITIONING UNITS
-----------------------------	----------------------------------	-------------------	-----------------------	-----------------	--------------------------	-------------------------------	---------------------------	-----------------	-----------------	-----------------	-------------------------	-------------------------	------------------------------