



- HiPoE to power heater & network camera
- Integrated HiPoE splitter 24W, 12VDC
- Standard cable cat. 5
- Compatible with HiPoE PowerDsine midspans
- Indoor / Outdoor installations
- Side opening, easy camera servicing
- Weatherproof standard IP66 (with cable glands or with optional sealing rings)
- Version with reinforced cooling system

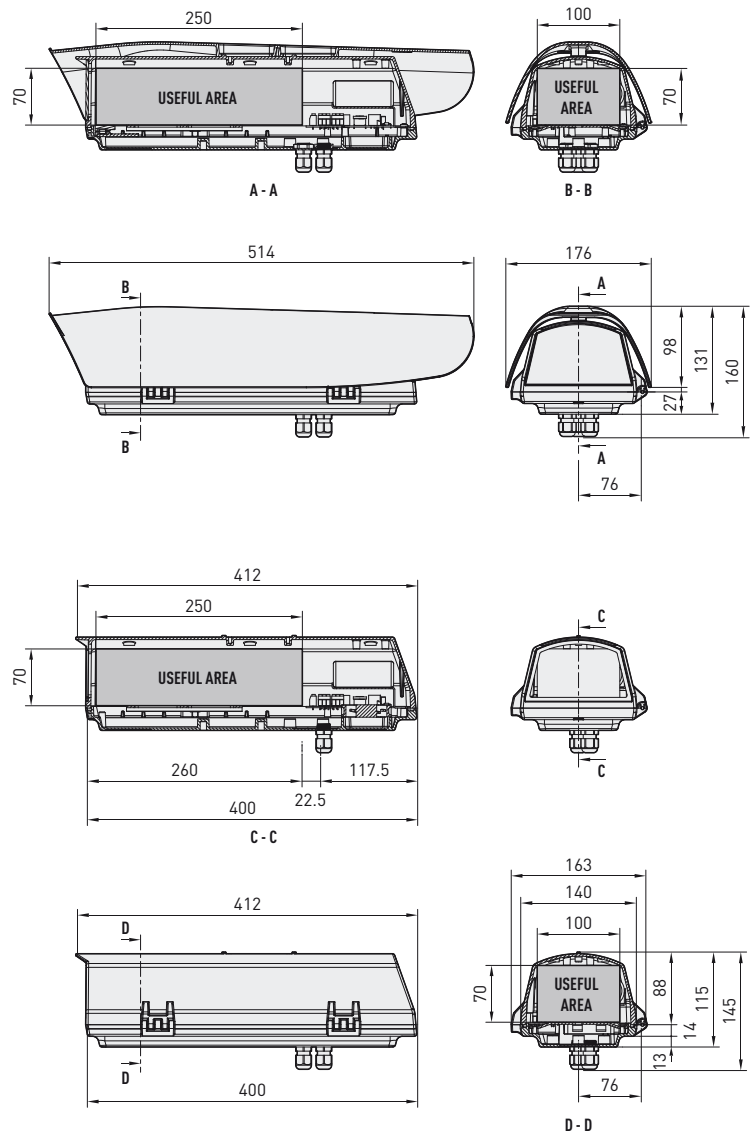
The HOV Hi-PoE is an innovative and stylish housing, designed to simplify installation and servicing for the IP and Megapixel cameras, thanks to the benefits of Hi-PoE (Power over Ethernet). This technology allows to feed the 12Vdc cameras as well as the heater directly from the Ethernet cable. No need to add external power sources or bring additional power cables into the enclosure.

If your network does not have Hi-PoE, you can add it by using the 1 channel Power Injector (accessory available as an option), in addition Videotec certifies the compatibility of the Microsemi/PowerDsine HiPoE Multi Port 7000 Midspans series (available in 6, 12 and 24 port versions).

The HOV Hi-PoE housing ensures total protection against all environmental conditions. Due to its side opening, the accessibility to the camera, lens and all its connections is made far easier. Its weatherproof features are ensured by neoprene-rubber gaskets and 3 cable glands with their specific gaskets, or by the sealing gaskets, when installed with bracket with internal cable management.

The body is made of die-cast aluminium; the sunshield of ABS material. The sunshield with its integrated edge-protector offers good thermal insulation. HOV Hi-PoE offers the possibility of various mountings: wall or ceiling brackets, standard or full cable management brackets, or Pan & Tilt heads.

A specific version with a very efficient cooling system is available for high environmental temperature.



The values are in millimeters.

HOV HI-POE

HI-POE SIDE OPENING ALUMINIUM HOUSING



TECHNICAL DATA

2

HOUSINGS FOR IP AND MEGAPIXEL CAMERAS

| HOV Hi-PoE | | | |
|-------------|-----------|--------------|--|
| Model | Sunshield | 24Vac heater | 24Vac blower with double air exchange filter |
| HOV32K2A600 | • | • | |
| HOV32K2A616 | • | • | • |

GENERAL

Die-cast aluminium
 Sunshield in ABS
 Epoxypolyester powder painting, RAL9002 colour
 Stainless steel external screws
 Supplied with instruction manual, desiccant bag, accessories for camera and lens mounting

MECHANICAL

3 removable cable glands (2 PG9+1PG11)
 Glass window (BxH): 118x75mm (4.6x2.7in)
 Internal usable area (BxH): 100x70mm (3.9x2.7in)
 Internal usable length with and without accessories: 250mm (9.8in)

ELECTRICAL

Available power for camera: 10W, 12Vdc
 Heater Ton 15°C+/-3°C (59°F +/-5°F) Toff 22°C+/-3°C (71°F +/-5°F)
 Blower with thermostat Ton 35°C+/-3°C (95°F +/-5°F) Toff 20°C+/-3°C (71°F +/-5°F) for version with double filter

Compatible with the Power Injector (ref. OHEPOWINJ Videotec accessory)

- 1 channel PoE supply PoE - LAN 10/100/1000Mbps
- IN AC 90/264Vac, 1A
- Operating temperature: 0°C/+40°C (32°F/104°F)

Compatible also with Microsemi/PowerDsine HiPoE Multi Port 7000 Midspans series (available in 6,12 and 24 port versions)

ACCESSORIES

- OHEPOWINJ 1 ch. Hi-PoE Power Injector
- OHEGBB* Weatherproof junction box IP55

For further specs on these accessories, please refer to the technical data sheet "CAMERA HOUSINGS".

RELATED PRODUCTS

- WBJA Wall bracket with ball joint
- WBOVA2 Wall bracket with internal cable channel
- WBOV3A2 Wall bracket with internal cable channel, support plate and integrated junction box
- WCM3A Ceiling bracket with ball joint
- WCM5A Ceiling bracket with ball joint
- WCM4A2 Ceiling bracket with internal cable channel
- WFWCA Column mount with ball joint
- OWBIP1 Kit special gasket to allow protection IP66 for WBOVA2 and WCM4A2
- PTH300 Pan&Tilt series
- PTH900 Pan&Tilt series

ENVIRONMENT

Indoor / Outdoor
 Operating temperature with heater: -20°C / +50°C (-4°F / +122°F)
 Resistant to the salt-air fog until 1000 hours (according to ISO9227)

COMPLIANCE TO

CE according to EN61000-6-3, EN 60065, EN50130-4
 IP66 according to EN 60529 with cable glands
 IP66 according to EN 60529 with special gaskets and bracket with internal cable channel
 IP54 according to EN 60529 with bracket with internal cable channel
 IP44 according to EN 60529 with double filter housing

SPARE PARTS LIST

- OHOV32SUP Complete upper body
- OBKFL Replacement filter kit for double filter housings

| | | | | |
|--|--|---|---|--|
| | Unit Weight: HOV32K2A600 3,1kg / 6.6lb | Package Weight: HOV32K2A600 3.5kg / 7.7lb | Package Dimension (BxHxL): HOV32K2A600 19.5x14.5x 52.8cm / 7.7x5.7x20.8in | Master Carton: HOV32K2A600 4 units |
|--|--|---|---|--|