

HEK30K + WBMA



HEK30D + WBOVA2



- Indoor/Outdoor installations
- Hinged, removable body
- PMMA window
- Weatherproof Standard IP66 (with cable glands or optional sealing gaskets)
- Double mounting option: regular or feed-through brackets
- Very good vandal-resistant protection
- Patented

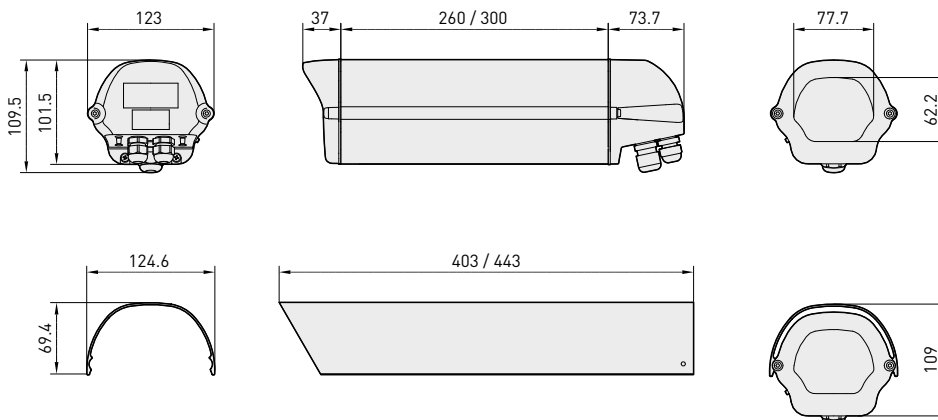
Innovative weatherproof housing for indoor/outdoor installations. Made of extruded aluminium and plastic material, it is provided with an innovative opening system which allows access to the housing's interior; the body and the sunshield slide forward and hang in place, while the unit remains fixed allowing access to the camera from all angles. Its dimensions make it suitable for CCD cameras equipped with fixed lenses. Sturdy construction at a light weight, HEK has two mounting options at the same time: regular (WBMA) or feed-through (WBOVA2) bracket.

Its weatherproof features are ensured by EPDM-rubber gaskets and by 3 M16 metric cable glands or by the sealing gaskets, when installed with bracket with internal cable management. A wide

range of accessories is available, including sunshield, heater and fan-assisted heater, blower kit and camera power supply. Further, it is also possible to install a blower including an air filter replacing one of the cable glands (not suitable in case of using the bracket with internal cable channel).

The accessories are supplied factory installed or as simple upgrade kit.

The innovative concept allows the installation in different environments, either outdoor or indoor.



The values are in millimeters.

TECHNICAL DATA

HEK					
Model	Sunshield	Heater 115/230V AC	Heater 12V DC/24V AC	Fan assisted heater 24V AC	Max consumption
HEK26D0Y000B					
HEK26K0Y000B	•				
HEK26K1Y000B	•	•			40W
HEK26K2Y000B	•		•		20W
HEK30D0Y000B					
HEK30K0Y000B	•				
HEK30K1Y000B	•	•			40W
HEK30K2Y000B	•		•		20W
HEK30K2Y015B	•			•	24W

GENERAL

Resistant technopolymer front and back cover, RAL7030
 Extruded aluminium body and external slide
 Epoxypolyester powder painted colour RAL9002
 Stainless steel external screws
 Supplied with instruction manual, desiccant bag, accessories for camera and lens mounting

MECHANICAL

3 removable cable glands: 3xM16
 PMMA window (BxH): Ø 72mm [2.8in]
 Internal usable area (BxH): 82x62mm [3.2x2.4in]

Internal usable length without accessories

HEK26	260mm [10.2in]
HEK30	300mm [11.8in]

Internal usable length with heater and/or power supply

HEK26	190mm [7.5in]
HEK30	235mm [9.3in]

Internal usable length with heater and/or blower

HEK26	190mm [7.5in]
HEK30	235mm [9.3in]

ELECTRICAL

Heater Ton 15°C+/-3°C (59°F +/-5°F) Toff 22°C+/-3°C (71°F +/-5°F)

- IN 12V DC/24V AC, consumption 20W max
- IN 115/230V AC, consumption 40W max

Blower kit with thermostat air filter, Ton 35°C+/-3°C (95°F+/-5°F) Toff 20°C+/-3°C (71°F+/-5°F) and back cover

- IN 12V DC, consumption 4W max
- IN 24V AC, consumption 4W max

Not compatible with bracket with internal cable channel

Camera power supply

- IN 100-240V AC - OUT 12V DC, 50/60 Hz, 1A
- IN 230V AC - OUT 24V AC, 50Hz, 400mA

ACCESSORIES

OHEKS26A000	Sunshield for HEK26
OHEKS30A000	Sunshield for HEK30
OHEH21	Heater 115/230V AC
OHEH22	Heater 12V DC/24V AC
OHEKVF1EB	Blower kit with thermostat and air filter 12V DC
OHEKVF2EB	Blower kit with thermostat and air filter 24V AC
OHEPS10B	Camera power supply IN 100-240V AC - OUT 12V DC
OHEPS11B	Camera power supply IN 230V AC - OUT 24V AC
OHEGBB	Weatherproof junction box IP55
IR50	IR illuminator 50W

RELATED PRODUCTS

WBMA	Wall bracket with ball joint
WBOVA2	Wall bracket with internal cable channel
WBOV3A2	Wall bracket with internal cable channel, support plate and integrated junction box
WCM3A	Ceiling bracket with ball joint
WCM5A	Ceiling bracket with ball joint
WCM4A2	Ceiling bracket with internal cable channel
WFWCA	Column mount with ball joint
OWBIP2	Kit special gasket to allow protection IP66 for WBOVA2 and WCM4A2
PTH300	Pan&Tilt series
PTH900	Pan&Tilt series

ENVIRONMENT

Indoor / Outdoor
 Operating temperature with heater: -20°C / +50°C [-4°F / +122°F]

COMPLIANCE TO

CE according to EN61000-6-3, EN 60065, EN50130-4
 IP66 according to EN 60529 with cable glands
 IP66 according to EN 60529 with special gasket and bracket with internal cable channel
 IP54 according to EN 60529 with bracket with internal cable channel

SPARE PARTS LIST

DOTHE02	Spacers for camera and lens
OHEKMAN	Cable glands, gaskets and screws
OHEKFA06	Front cover RAL7030 with screws and gaskets
OHEKFP06	Back cover RAL7030 with cable glands screws and gaskets

	Unit Weight:	Package Weight:	Package Dimension (BxHxL):	Master Carton:
	HEK26K1 2.0kg / 4.4lb	HEK26K1 2.3kg / 5.0lb	HEK26K1 14x15x46cm / 5.5x5.9x18.1in	HEK26K1 10 units
	HEK30K1 2.2kg / 4.8lb	HEK30K1 2.4kg / 5.3lb	HEK30K1 14x15x46cm / 5.5x5.9x18.1in	HEK30K1 10 units