

- Indoor / Outdoor installations
- Thick extruded aluminium and stainless steel armour plating
- Epoxy painted
- Internal cable channel
- Weatherproof standard IP54

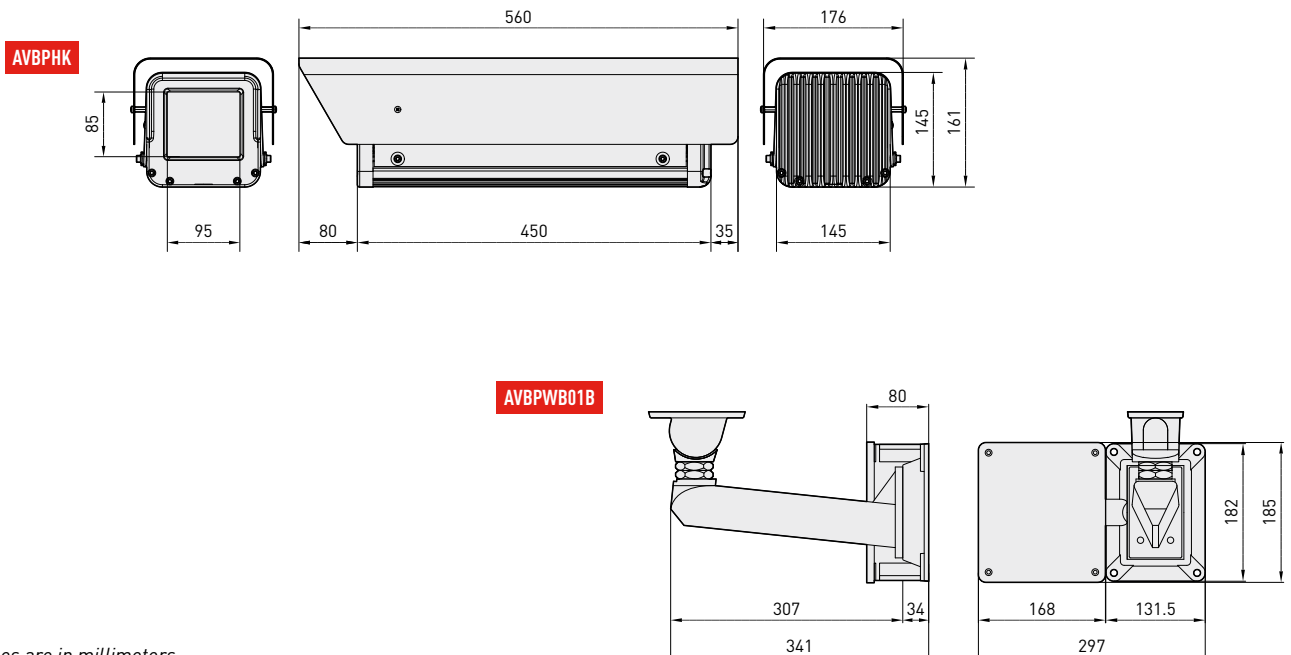


Armoured housing, consisting of a 10mm thick extruded aluminium base with front and rear bottom made of 30mm thick die-cast aluminium. An 18mm-bullet-proof glass is fixed on the front by means of an iron frame. The armour plating is made of 3mm stainless steel sheet steel, which covers the base and housing body. The unit is completed with an aluminium sunshield. Complete protection is ensured by the special AVBPWPBB joint bracket, made of die-cast aluminium, with internal cable channel for concealed power and video cables.

A nut and a lock nut allow the joint adjustment and locking. The bracket can be wall mounted by means of its reinforcing support plate.

The range of accessories includes standard sunshield and heater kit, and optional blower kit and power supply.

The AVBPH housing has been designed for maximum security applications, like prisons, where there is the need of maximum protection against vandalism.



The values are in millimeters.

### TECHNICAL DATA

AVBPH				
Model	Sunshield	Heater 115/230V AC	Heater 12V DC/24V AC	Max consumption
AVBPH1K000	•	•		40W
AVBPH2K000	•		•	20W

### GENERAL

#### AVBPH

10mm (0.4in) thick extruded aluminium base  
 30mm (1.2in) thick die-cast aluminium front and rear bottom  
 Stainless steel window frame  
 Made of 3mm (0.1in) stainless sheet steel which covers the base and housing body  
 Epoxypolyester powder painted grey colour  
 Aluminium sunshield epoxypolyester powder painted colour RAL9002  
 Supplied with instruction manual, desiccant bag, accessories for camera and lens mounting

#### AVBPWBB

Die-cast aluminium  
 Epoxypolyester powder painted grey colour

### MECHANICAL

#### AVBPH

Bullet proof glass BR3 according EN1063  
 Window 18mm (0.7in) thick glass  
 Window dimensions 95x85mm (3.7x3.4in)  
 External dimensions with sunshield (BxHxL): 176x161x560mm (6.9x6.3x2in)  
 Internal usable dimensions (BxH): 122x100mm (4.8x3.9in)

#### Usable length without accessories

AVBPH 380mm (14.9in)

#### Usable length with heater and / or blower

AVBPH 330mm (13in)

#### Usable length with heater and power supply

AVBPH 310mm (12.2in)

#### AVBPWBB

Internal cable management  
 Wall mounted coupled with counterplate

### ELECTRICAL

#### Heater Ton 15°C+/-3°C (59°F +/-5°F) Toff 22°C+/-3°C (71°F +/-5°F)

- IN 12V DC/24V AC, consumption 20W max
- IN 115/230V AC, consumption 40W max

#### Blower kit with thermostat air filter, Ton 35°C+/-3°C (95°F+/-5°F) Toff 20°C+/-3°C (71°F+/-5°F)

- IN 12V DC, consumption 4W max
- IN 24V AC, consumption 4W max
- IN 230V AC, consumption 4W max

#### Camera power supply

- IN 230V AC - OUT 12V DC, 50Hz, 400mA
- IN 230V AC - OUT 24V AC, 50Hz, 400mA

### ACCESSORIES

OAVBPHH1	Heater 115/230V AC
OAVBPHH2	Heater 12V DC/24V AC
OAVBPHCF1	Blower kit with thermostat air filter IN 12V DC
OAVBPHCF2	Blower kit with thermostat air filter IN 24V AC
OAVBPHCF3	Blower kit with thermostat air filter IN 230V AC
OAVBPHPS1	Power supply IN 230V AC - OUT 12V DC
OAVBPHPS2	Power supply IN 230V AC - OUT 24V AC

### RELATED PRODUCTS

AVBPWBB	Wall bracket with cable channel and wall racket adaptor
AVBPWB01B	Wall bracket with cable channel wall racket adaptor and box

### RELATED PRODUCTS

Indoor / Outdoor  
 Operating temperature with heater: -20°C / +50°C (-4°F / +122°F)

### COMPLIANCE TO

CE according to EN61000-6-3, EN 60065, EN50130-4  
 IP54 according to EN 60529  
 Impact resistance IK10 according to EN 50102



**Unit Weight):**  
 AVBPH1K 10.3kg / 22.7lb  
 AVBPWB 3.2kg / 7lb

**Package Weight:**  
 AVBPH1K 12kg / 26.5lb  
 AVBPWBB 3.5kg / 7.7lb

**Package Dimensions (BxHxL):**  
 AVBPH1K 57x24x30cm / 22.5x9.4x11.8in  
 AVBPWBB 42.5x15.5x14cm / 16.7x 6.1x5.5in

**Master Carton:**  
 AVBPH1K -  
 AVBPWBB 10 units