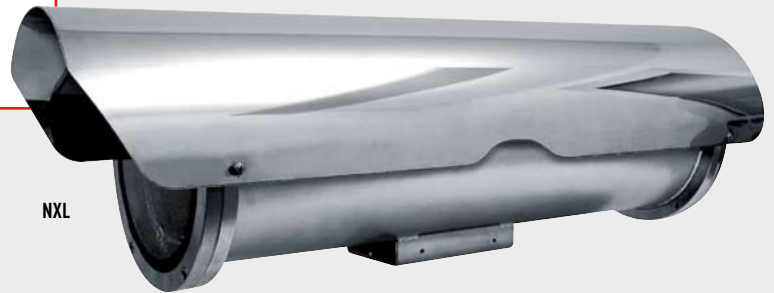
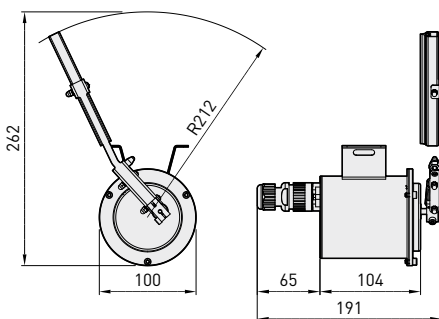


- For big zoom lenses
- AISI 316 stainless steel construction
- For highly aggressive environments
- Weatherproof standard IP67

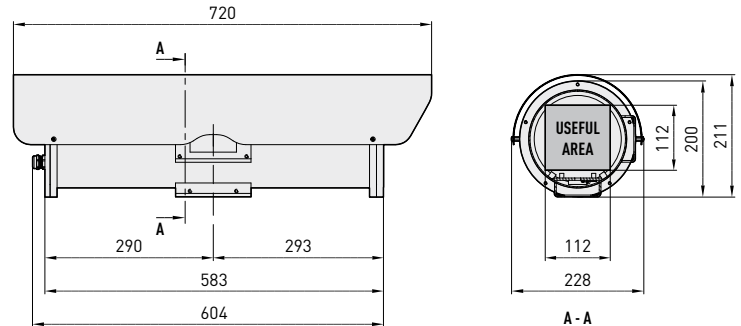
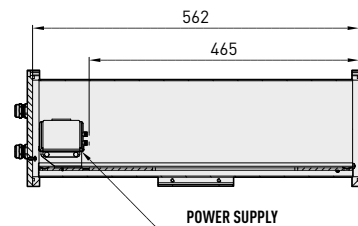
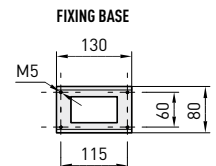
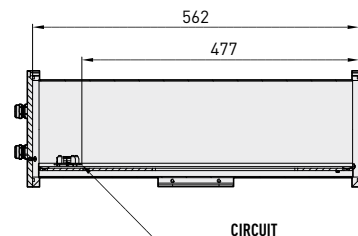

NXL

The NXL housing, entirely made of AISI 316 stainless steel, has been designed with the most important lenses manufacturers in mind. The housing is conceived to operate in special environments such as salt water applications like marine or coast patrol, industrial or chemical applications, and where external agents are highly corrosive. The NXL housing consists of a 168mm diameter cylindrical body enclosed by two circular flanges. The back flange is equipped with (4) PG13.5 cable glands for external connections.

The housing offers the possibility to remove either the front or the back cover for adjusting the lens and various connections. A wide range of accessories is available, including heater, camera power supply, NXWBL stainless steel wall bracket, and the VIPNXL wiper. The NXL housing can be installed on NXPTH Pan & Tilt head, to obtain a complete positioning system.


NXL + VIPNXL + NXPTH + NXFWBT + NXWBPTH1


The values are in millimeters.


A - A

POWER SUPPLY

FIXING BASE

CIRCUIT

TECHNICAL DATA

NXL				
Model	Sunshield	Heater 115/230V AC	Heater 12V DC/24V AC	Max consumption
NXL1K1000	•	•		40W
NXL2K1000	•		•	20W

GENERAL

Made of stainless steel (Austenitic alloy stainless steel, corrosion resistant according to the following standards):

- UNI 6900-71: X 2 Cr Ni Mo 17 12
- AISI: 316L
- DIN 17006: X 2 Cr Ni Mo 18 10
- N° WERKSTOFF: 1.4404
- AFNOR: Z2 CND 17-12
- BSI: 316 S 12

The screws utilised are in austenitic alloy stainless steel, corrosion resistant according to the following standards:

- UNI 6900: X 5 Cr Ni Mo 1712
- AISI: 316
- ISO quality: A4
- Resistance class ISO: 80

Supplied with instruction manual, desiccants bag, accessories for camera and lens mounting

UNI: Ente Nazionale Italiano di Unificazione, AISI: American Iron and Standard Institute, DIN: Deutsche Industrie Normen, AFNOR: Association Française de Normalisation, BSI: British Standard Institution, ISO: International Organization for Standardization

MECHANICAL

4 cable glands: 4xPG13.5 in nickel-plated brass for external connections

12mm [0.5in] thick front and 9mm [0.35in] thick back flange

External body polishing

O-ring gaskets

Tempered window glass: 4mm [0.15in] thick, Ø 150mm [5.9in]

External dimensions: Ø 200mm [7.8in] length 583mm [22.9in]

Internal usable dimensions (BxH): 112x112mm [4.5x4.5in]

Usable length

NXL 562mm [22.1in]

Internal usable length with connection board

NXL 477mm [18.7in]

Internal usable length with heater and power supply

NXL 465mm [18.3in]

Wiper

Wiper blade and enclosure made of AISI 316 stainless steel

Dimensions (ØxL): 100x169mm [3.9x6.6in] not comprehensive of blade

Connector 3+1 pins

IN 230V AC, consumption 7W max

IN 24V AC, consumption 7W max

ELECTRICAL

Heater Ton 15°C +/-3°C [59°F +/-5°F] Toff 22°C +/-3°C [71°F +/-5°F]

- IN 12V DC/24V AC, consumption 20W max

- IN 115/230V AC, consumption 40W max

Camera power supply

- IN 100-240V AC - OUT 12V DC, 50/60 Hz, 1A

- IN 230V AC - OUT 24V AC, 50Hz, 400mA

ACCESSORIES

ONXLH1 Heater 115/230V AC

ONXLH2 Heater 12V DC/24V AC

ONXPS1B Wide range camera power supply IN 100-240V AC - OUT 12V DC

ONXPS2B Camera power supply IN 230V AC - OUT 24V AC

VIPNXL1B Wiper 230V AC

VIPNXL2B Wiper 24V AC

RELATED PRODUCTS

NXWBL Wall bracket for stainless steel housing

NXPHT Stainless steel Pan&Tilt

VIP5WAS01 Tank 5l, 230V AC washer pump

VIP5WAS02 Tank 5l, 24V AC washer pump

VIP25WAS01 Tank 25l, 230V AC washer pump

VIP25WAS02 Tank 25l, 24V AC washer pump

VIP25WASA01 Tank 25l, 230V AC washer pump, high delivery up 30m

DTWRX Optional board for remote control of wiper and water pump of the UPTWAS series

ENVIRONMENT

Indoor / Outdoor

Operating temperature with heater: -20°C / +50°C [-4°F / +122° F]

COMPLIANCE TO

NXL

CE according to EN 61000-6-3, EN 60065, EN 50130-4

IP67

VIPNXL

CE according to EN 61000-6-3, EN 60065, EN 50130-4

IP67

	Unit Weight:	Package Weight:	Package Dimensions (BxHxL):	Master Carton:
	NXL 13kg / 28.6lb VIPNXL 1.5kg / 3.3lb	NXL 15kg / 33.5lb VIPNXL 1.6kg / 3.5lb	NXL 29.5x35x75cm / 11.6x13.8x29.5in VIPNXL 14.5x15x27cm / 5.7x5.9x10.6in	NXL - VIPNXL -